

948C CYLINDER LOCKING INSIDE RELEASE SYSTEM

- Tamper resistant cylinder locking system complements any pull handle or latch system.
- Mounts entirely on door, so not affected by door sag.
- Cylinder mounts with one-way slotted screws for extra security
- Turn of the lever unlocks or relocks door from inside; no parts to remove or re-position

SPECIFICATIONS

MATERIAL/FINISH:
LOCK - Die-cast zinc/polished chrome

INSIDE RELEASE - Metal hub and flange, stainless steel arm and bolt, nylon bushing and shaft, polypropylene strike

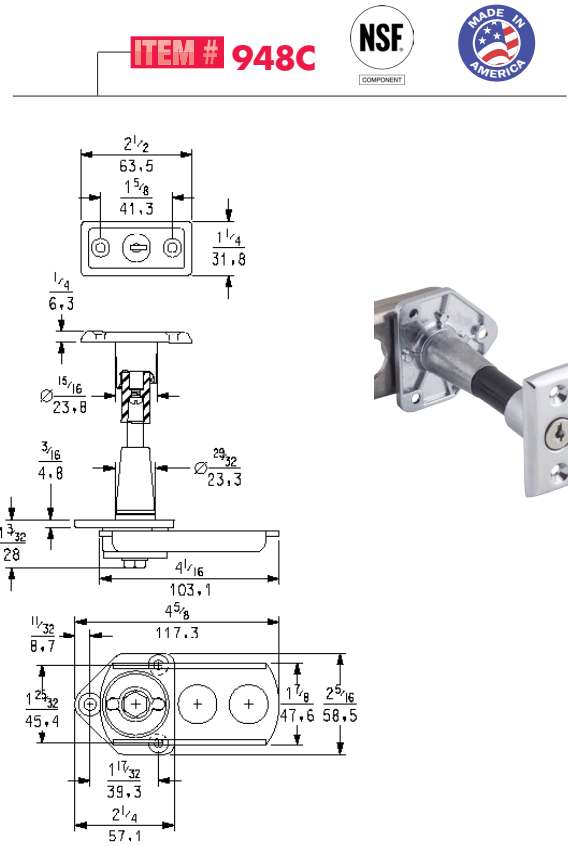
MOUNTING:
 Mounts through door with No. 10 (5.0mm) flat head screws

SHAFT LENGTH:
 Standard for 4" (101.6mm) door thickness. Custom lengths available; specify door thickness when ordering

PACKAGING:
 24 per carton.

WEIGHT:
 23.2 lb. (10.5kg) per carton

Model No.	Item
10948C00004	Cylinder Housing with Inside release
May be keyed alike or differently; 5 Key changes available; please specify	



ITEM # 948C



36 PADLOCKING HASP WITH INSIDE RELEASE

- Simple padlocking hasp secures any walk-in cooler or freezer door
- To lock, move stainless steel locking bar to horizontal position across door, then secure with your padlock
- Installs fast at the plant or in the field with simple, through-the-jamb mounting
- Tamper-resistant because fasteners are covered when unit is locked
- When open, holds padlock to prevent loss
- Glow in the dark inside release twist knob

SPECIFICATIONS

MATERIAL/FINISH:
 Chrome plated die-cast zinc post; stainless steel locking bar with brushed finish; glow in the dark twist-off knob

OFFSETS:
 See order information

MOUNTING:
 Mounts through door jamb for right- or left-opening door. Drilled and countersunk for concealed No. 10 (5.0mm) flathead screws

ROD LENGTH:
 Standard for 4" (101.6mm) door thickness. Order 10036000012 for custom door thickness and cut length to suit

PACKAGING:
 12 per carton

WEIGHT:
 13.2 lb. (6.0kg) per carton

Model No.	Offset
10036000002	Flush (0.0 mm)
10036000006	1-1/8" (28.6 mm)
10036000008	1-3/8" (34.9 mm)
10036000012	Knob with Threaded Rod 11-1/4" Long (6 per Carton)

ITEM # 36

