



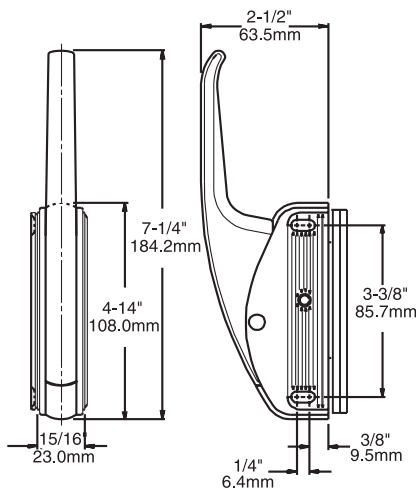
ITEM # 544



Reg. TM 4,906,919

544 COMPACT MAGNETIC EDGEMOUNT LATCH

- Compact size for smaller heated cabinets where space is limited
- Non-heat conducting composite, offset handle
- Kason's time-tested magnetic latching system
- Breaker action releases magnet for easy opening
- Operates smoothly with handle mounted up or down
- Not affected by door sag
- Use on right or left-opening doors



544 STRIKE

SPECIFICATIONS

MATERIAL:
High pressure die-cast zinc body; glass reinforced composite handle; steel strike

FINISH:
Polished chrome latch body, chrome strike; black composite handle

STANDARD MAGNET:
Chemical-resistant Nitrile – holding force approx. 40 lb. (178 N).

OPTIONAL HI-TEMP MAGNET:
Ceramic – holding force of 80 lb. (356 N). Recommended for temperature applications above 280°F (138.8°C) or where greater holding power is required.

MOUNTING:
Latch is edge mounted; strike is surface mounted. Drilled and countersunk for No. 10 (5.0 mm) flat head screws

PACKAGING:
12 per carton

WEIGHT:
21 lb. (9.5 kg) per carton

PathoGuard™ treated antimicrobial handles available. Consult your Kason representative.

Model No.	Item	Magnet
1054400004	Latch	Standard
10544000014	Latch	Ceramic