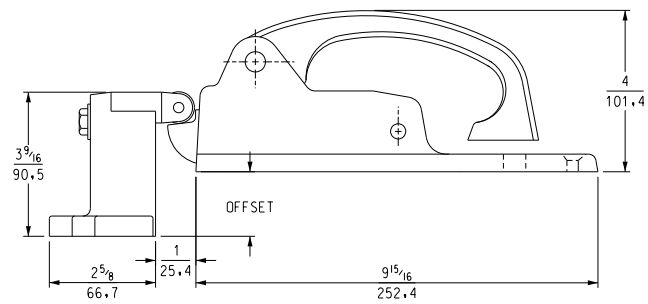
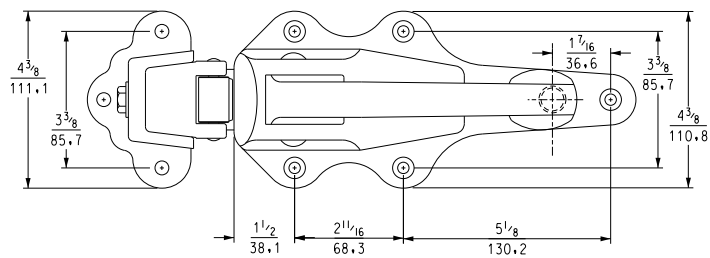


IRON PADLOCKING LATCH

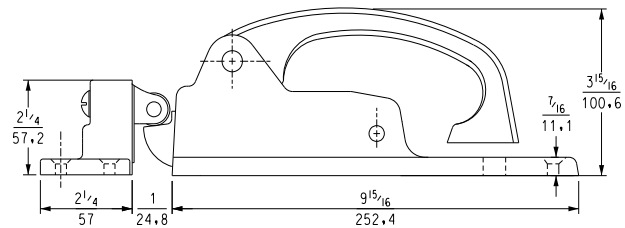
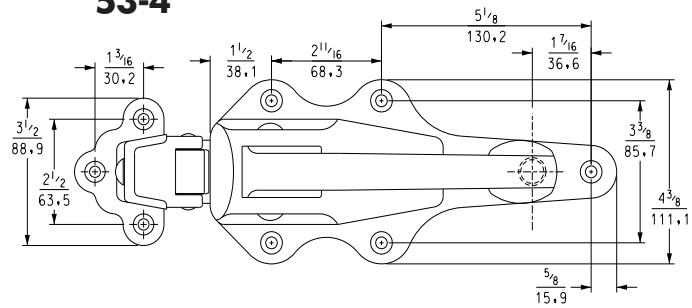


ITEM # 53

53-8



53-4



53 IRON PADLOCKING LATCH

Larger, padlocking bolt action latch is designed for use on large walk-in doors.

SPECIFICATIONS

MATERIAL:
Cast iron body and strike housing, malleable iron handle

PACKAGING:
1 per carton

FINISH:
Kasonized (Zinc plated)

WEIGHT:
Approx. 9-3/4 lb. (4.4kg) per carton

OFFSET:
See order information

INSIDE RELEASE:
Order separately. See pages B-26 and B-27 for selection

MOUNTING:
Body drilled and counter-sunk for 1/4" (6.0mm) screws. Strike drilled for 5/16" (8.0mm) lag screws

Model No.	Item	Offset
1005300004	Padlocking Latch	-1/4" to 1/8" (-6.4 to 3.2 mm)
1005300008	Padlocking Latch	15/16" to 1-5/8" (23.8 to 41.3 mm)
10053000052	Padlocking Body	
10053000064	Strike	15/16" to 1-5/8" (23.8 to 41.3 mm)