

# KASON EDGEMOUNT LATCHES

## 172 MAGNETIC-MECHANICAL LATCH

- Magnetic force combined with mechanical latching provide the ultimate in positive door closure and sealing.
- Latch releases with ease.
- Mechanical latching with cylinder lock offers positive security
- Keeps door shut even when adjacent doors are slammed.
- Two-way strike adjustment compensates for door-sag and gasket wear.
- Unique design of strike ensures full magnetic attraction at each adjustment.

### SPECIFICATIONS

**MATERIAL:**  
High pressure die-cast zinc body, handle and strike

**FINISH:**  
Polished chrome

**HANDLE STYLES:**  
Straight, offset

**LOCK SELECTION:**  
Cylinder or non-cylinder locking

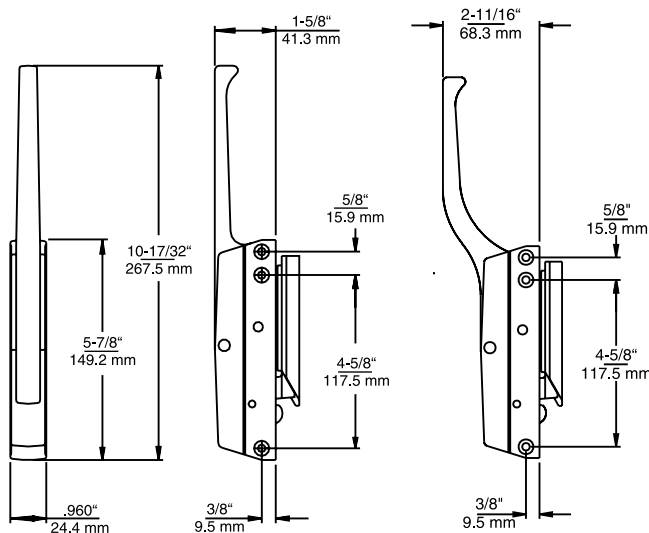
**PACKAGING:**  
12 per carton

**WEIGHT:**  
25 lb. (11.4 kg) per carton

**MOUNTING:**  
Latch is edge mounted; strike is surface mounted. Drilled and countersunk for No. 10 (5.0 mm) screws

Model No.	Handle	Lock
1017200006	Straight	None
10172B00006	Offset	None
10172C00006	Straight	Cylinder
10172BC0006	Offset	Cylinder
90172CM0004		Cylinder Kit for 172

Cylinder locks may be keyed alike or differently; 5 key changes available; please specify. Models available with heat-resistant, vinyl sleeve.



**172 STRAIGHT**

**172B OFFSET**

ITEM # 172

