



COMPONENT

ITEM # 171



© U.S. Trademark 2,319,965



**171 CYLINDER**



**171 KNOB**

## 171 SERIES MAGNETIC LATCHES

- Versatile family offers multiple choices for heated and refrigerated applications.
- Four handle styles in locking and non-locking models
- Powerful magnetic force assures positive, air-tight door closure.
- Kason 'breaker action' quickly releases magnet for fast door opening.
- Two-way adjustment adapts latch for changing door alignment.
- Adjustable latch body compensates for gasket wear.
- Strike adjusts vertically to accommodate door sag on locking models.
- Fast installation

## SPECIFICATIONS

**MATERIAL:**  
High pressure die-cast zinc body and adjustment plate; zinc die-cast or glass reinforced composite handle; one piece steel strike

**FINISH:**  
Polished chrome latch body; black composite or polished chrome handle

**HANDLE STYLES:**  
Offset, straight, straight with vinyl sleeve

**LOCK SELECTION:**  
Key cylinder lock or knob turn. Non-cylinder latches can be converted to cylinder locking. Cylinder locks may be keyed alike or differently; 4 key changes available; please specify (11, 13, 14, 16)

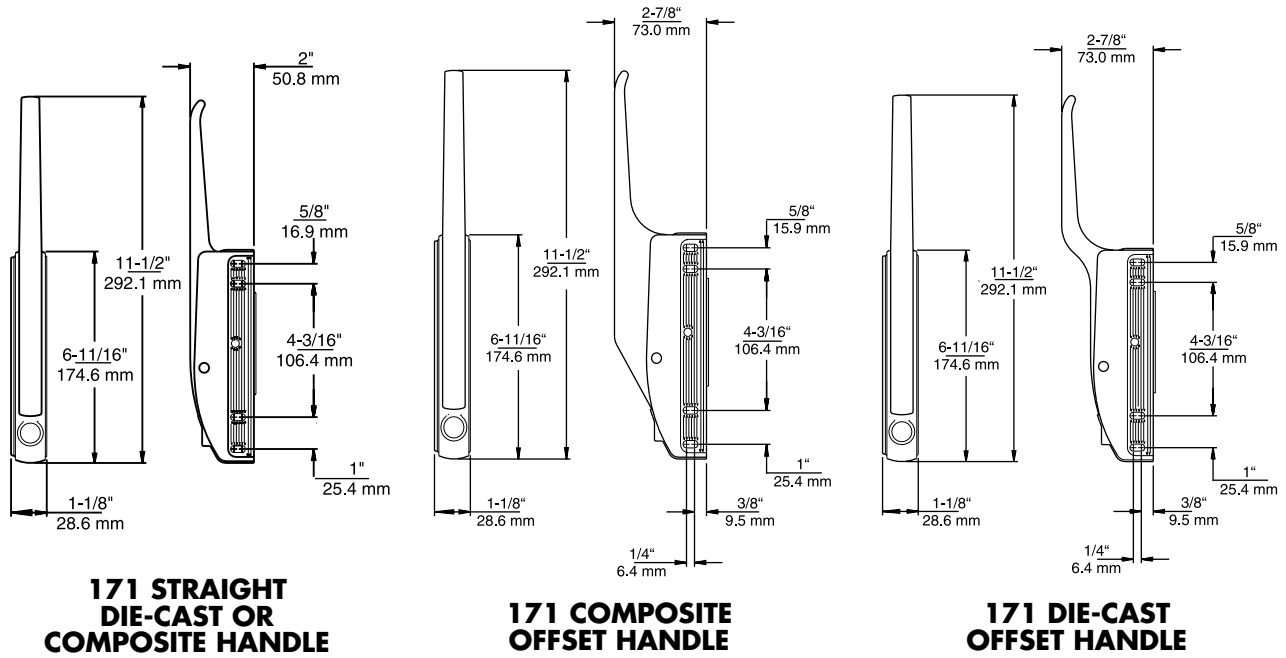
**STANDARD MAGNET:**  
Nitrile material; holding force approx. 50 lb. (222.0 N)

**CERAMIC MAGNET:** Holding force of approximately 100 lb. (445.0 N); Recommended for temperature applications above 280°F (138.8°C) or where greater holding power is required

**MOUNTING:**  
Latch is edge mounted; strike is surface mounted. Drilled and countersunk for No. 10 (5.0 mm) screws

**PACKAGING/WEIGHT:**  
See ordering information

PathoGuard™ treated antimicrobial handles available. Consult your Kason representative.



Model No.	Handle	Lock	Magnet	Qty/Ctn	Weight/Ctn
10171000004	Straight Die-cast, Pol. Chrome	*	Standard	12	39 lb. (17.7kg)
10171000014	Straight Die-cast, Pol. Chrome	*	Ceramic	12	39 lb. (17.7kg)
10171C00004	Straight Die-cast, Pol. Chrome	Cylinder	Standard	12	39 lb. (17.7kg)
10171B00008	Offset Composite, Black	*	Standard	12	31.8 lb. (14.4kg)
10171B00018	Offset Composite, Black	*	Ceramic	12	31.8 lb. (14.4kg)
10171B00024	Offset Die-cast, Pol. Chrome	*	Standard	12	39 lb. (17.7kg)
10171B00034	Offset Die-cast, Pol. Chrome	*	Ceramic	12	39 lb. (17.7kg)
10171S00008	Straight Composite, Black	*	Standard	12	31.8 lb. (14.4kg)
10171S00018	Straight Composite, Black	*	Ceramic	12	31.8 lb. (14.4kg)
10171BC00008	Offset Composite, Black	Cylinder	Standard	12	31.8 lb. (14.4kg)
10171BC00018	Offset Composite, Black	Cylinder	Ceramic	12	31.8 lb. (14.4kg)
10171BC00024	Offset Die-cast, Pol. Chrome	Cylinder	Standard	12	39 lb. (17.7kg)
10171BC00034	Offset Die-cast, Pol. Chrome	Cylinder	Ceramic	12	39 lb. (17.7kg)
10171SC00008	Straight Composite, Black	Cylinder	Standard	12	31.8 lb. (14.4kg)
10171SC00018	Straight Composite, Black	Cylinder	Ceramic	12	31.8 lb. (14.4kg)
10171BK00008	Offset Composite, Black	Turn Knob	Standard	12	31.8 lb. (14.4kg)
10171BK00018	Offset Composite, Black	Turn Knob	Ceramic	12	31.8 lb. (14.4kg)
90171CM0004	Cylinder Kit for 171 & 171B				

\*Can be converted to cylinder locking with 90171CM0004 Cylinder Kit. Cylinder locks may be keyed alike or differently; 4 key changes available; please specify

© 2019 Kason Industries, Inc. 0819 LIT 001