



**ITEM # 1277**

## 1277 SERIES HEAVY DUTY HINGES

- Tough, economical self-closing hinges.
- Sizes to fit all supermarket, cold storage and other heavy duty walk-in requirements.
- Precision machined steel cams gently raise and lower door for easier opening and less gasket wear.
- No dwell.
- Extra wide strap and reinforcing ribs on underside of flange provide great strength and durability.
- Reversible, without disassembly, for right- or left-opening door.

### SPECIFICATIONS

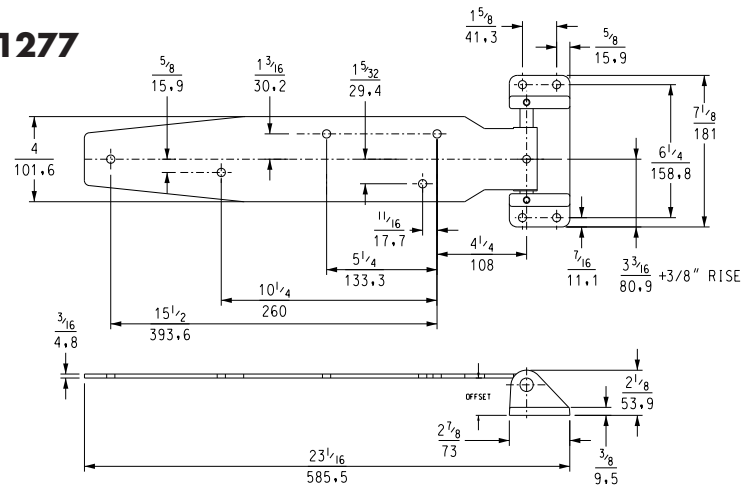
**MATERIAL:**  
High pressure die-cast zinc flange, 3/16" (4.8mm) thick steel strap, 5/8" (15.9mm) diameter steel cam pin

**FINISH:**  
Kasonized (Zinc plated). Powder coated finishes available for severe environmental applications

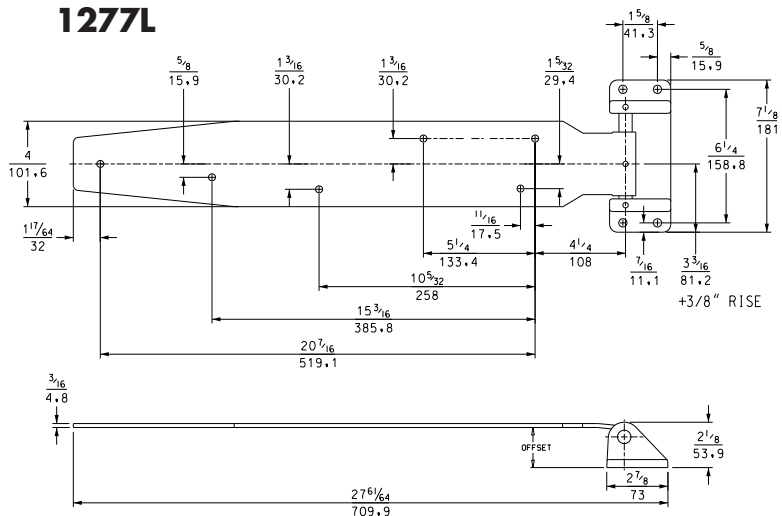
**MOUNTING:**  
Drilled for 3/8" (9.5mm) screws (not included)

**LOAD RATING:**  
See Hinge Selector Chart, Page B24, Group G

**1277**

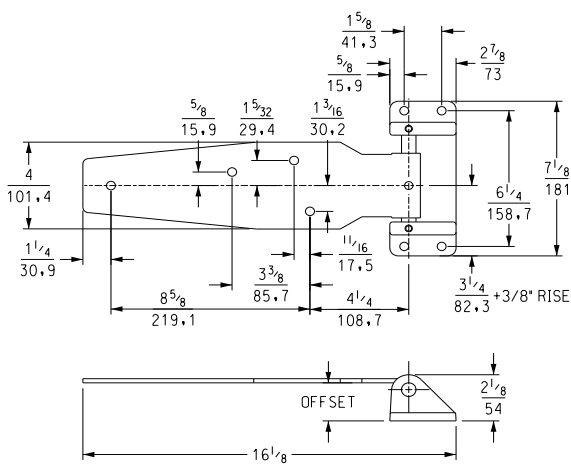


**1277L**

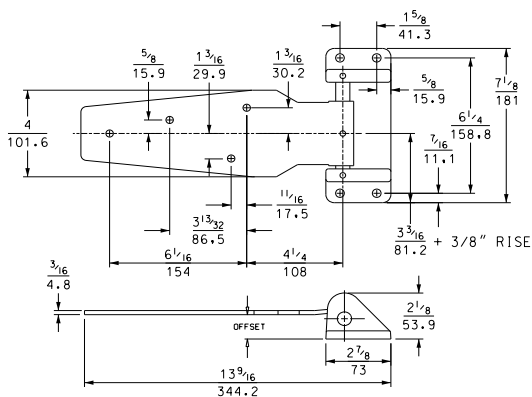




## 1277S



## 1277T



Model No.	Offset	Strap Length
11277000004	Flush (0.0 mm)	
11277000008	1-1/8" (28.6 mm)	
11277000010	1-1/4" (31.8 mm)	
11277000012	1-3/8" (34.9 mm)	21"
11277000014	1-1/2" (38.1 mm)	(533.4 mm)
11277000016	1-5/8" (41.3 mm)	
11277000018	1-3/4" (44.5 mm)	
11277000020	1-7/8" (47.6 mm)	
11277L00008	1-1/8" (28.6 mm)	
11277L00010	1-1/4" (31.8 mm)	26"
11277L00012	1-3/8" (34.9 mm)	(685.8 mm)
11277L00016	1-5/8" (41.3 mm)	
11277S00008	1-1/8" (28.6 mm)	
11277S00010	1-1/4" (31.8 mm)	
11277S00012	1-3/8" (34.9 mm)	11-5/8"
11277S00014	1-1/2" (38.1 mm)	(293.7 mm)
11277S00016	1-5/8" (41.3 mm)	
11277S00018	1-3/4" (44.5 mm)	
11277T00004	Flush (0.0 mm)	
11277T00008	1-1/8" (28.6 mm)	
11277T00010	1-1/4" (31.8 mm)	
11277T00012	1-3/8" (34.9 mm)	14"
11277T00014	1-1/2" (38.1 mm)	(358.2 mm)
11277T00016	1-5/8" (41.3 mm)	
11277T00018	1-3/4" (44.5 mm)	
11277T00020	1-7/8" (47.6 mm)	

### PACKAGING

Model No.	Qty/Carton	Wgt/Carton
11277	4 each	27 lb. (12.2 kg)
11277L	4 each	33 lb. (14.9 kg)
11277S	8 each	40 lb. (18.0 kg)
11277T	6 each	32 lb. (14.3 kg)