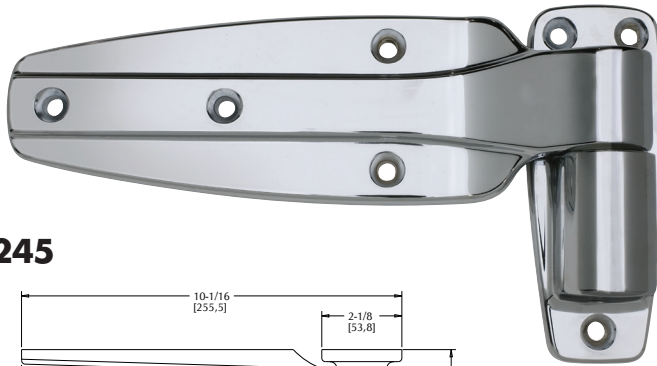


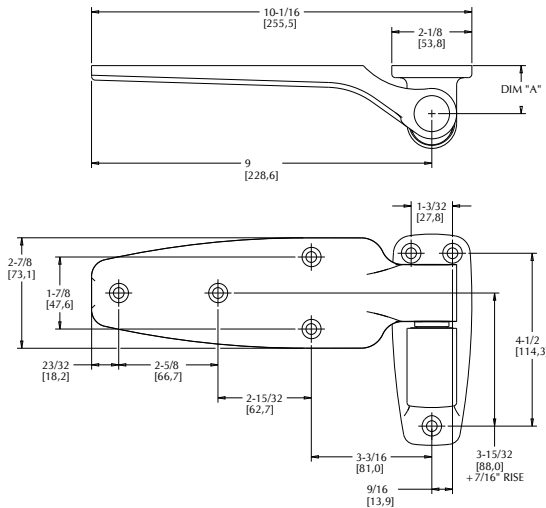
ITEM # 1245



U.S. Trademark 2,176,043



1245



®



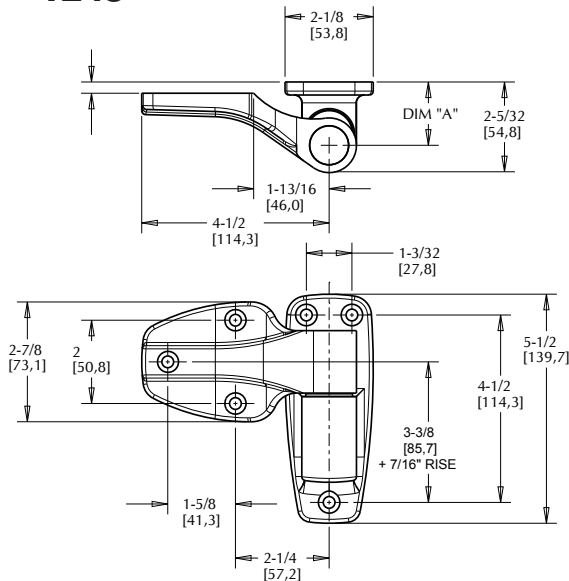
®

ITEM # 1246



U.S. Trademark 2,382,322

1246



REVERSIBLE CAM-RISE HINGES

- Industry standard self-closing cam-rise hinges
- Door opens with minimum effort
- Strong self-lubricating nylon cam delivers smooth, trouble-free door operation
- Cam-rise action reduces gasket wear, even with irregular floors
- Holds door open beyond 130°
- Doors lift off without disassembly or removing hinges
- Simple manual operation reverses hinges for use on right or left-opening door

SPECIFICATIONS

MATERIAL:
High pressure die-cast zinc with self-lubricating nylon cam

FINISH:
See table on pg. B-42. Powder coated finishes available for severe environmental applications

OFFSETS:
See table on pg. B-40

MOUNTING:
Drilled and countersunk for 1/4" (6.0mm) flat head screws

LOAD RATING:
See Hinge Selector Chart, Page B24, Group D

1245

PACKAGING:
6 each per carton

WEIGHT:
Approx. 18 lb. (8.2kg) per carton

1246

PACKAGING:
6 each per carton.

WEIGHT:
Approx. 12 lb. (5.4kg) per carton

OFFSET	DIM "A"	DIM "B"
FLUSH, 1 1/8	1 1/4	2 5/32
1/8, 1 1/4	1 3/8	2 5/32
1/4, 1 3/8, 1 1/2	1 1/2	2 5/32
5/8	1 3/16	2 21/32
1 5/8	1 3/4	2 21/32
1 3/4	1 7/8	2 21/32
1 7/8, 2	1 1/4	2 21/32

KASON REVERSIBLE CAM-RISE HINGES

REVERSE HINGES IN MINUTES

1. Lift strap from flange and remove pin assembly.



2. Pop out cap. Turn strap 180°, reinsert pin assembly in strap.



3. Reposition strap into flange and replace cap.



Model No.	Item	Offset	Finish
1124500004	Hinge	Flush (0.0 mm)	Powder Coat
11245000016	Hinge	1-1/8" (28.6 mm)	Powder Coat
11245000020	Hinge	1-1/4" (31.8 mm)	Powder Coat
11245000024	Hinge	1-3/8" (34.9 mm)	Powder Coat
11245000052	Hinge	1-1/2" (38.1 mm)	Powder Coat
11245000056	Hinge	1-5/8" (41.3 mm)	Powder Coat
11245000060	Hinge	1-3/4" (44.5 mm)	Powder Coat
11245000064	Hinge	1-7/8" (47.6 mm)	Powder Coat
11245000028	Hinge	Flush (0.0 mm)	Polished Chrome
11245000040	Hinge	1-1/8" (28.6 mm)	Polished Chrome
11245000044	Hinge	1-1/4" (31.8 mm)	Polished Chrome
11245000048	Hinge	1-3/8" (34.9 mm)	Polished Chrome
11245000068	Hinge	1-1/2" (38.1 mm)	Polished Chrome
11245000072	Hinge	1-5/8" (41.3 mm)	Polished Chrome
11245000076	Hinge	1-3/4" (44.5 mm)	Polished Chrome
11245000080	Hinge	1-7/8" (47.6 mm)	Polished Chrome
11245000082	Hinge	2" (50.8 mm)	Polished Chrome
11245000088	Hinge	Flush (0.0 mm)	Brushed Chrome
11245000112	Hinge	1-1/8" (28.6 mm)	Brushed Chrome
11245000116	Hinge	1-1/4" (31.8 mm)	Brushed Chrome
11245000120	Hinge	1-3/8" (34.9 mm)	Brushed Chrome
11245000124	Hinge	1-1/2" (38.1 mm)	Brushed Chrome
11245000128	Hinge	1-5/8" (41.3 mm)	Brushed Chrome
11245000132	Hinge	1-3/4" (44.5 mm)	Brushed Chrome
11245000136	Hinge	1-7/8" (47.6 mm)	Brushed Chrome
11245000138	Hinge	2" (50.8 mm)	Brushed Chrome

Model No.	Item	Offset	Finish
11246000004	Hinge	Flush (0.0 mm)	Powder Coat
11246000028	Hinge	Flush (0.0 mm)	Polished Chrome
11246000040	Hinge	Flush (0.0 mm)	Brushed Chrome



ITEM # 1243 LOWER



1243 REVERSIBLE OBLIQUE HINGE

The 1243 is an oblique lower hinge, designed to be used in conjunction with the 1245 flush upper hinge to provide increased lift and potential energy for greater closing force than normal cam lift hinges.

- Precision engineered for spring action without the costly spring.
- Closing force rivals any spring-assisted hinge.
- Lowered cam load extends life of internal parts compared to spring-assisted hinges.
- Oblique design gives doors steeper rise for less sweeper gasket drag and wear.
- Built-in dwell holds door open beyond 130°.
- Doors lift off without disassembly or removing hinges.
- Simple manual operation reverses hinges for use on right- or left-opening door.
- Mounts as standard cam-rise hinge.
- **1243 must be paired with 1245 flush to achieve oblique action.**

SPECIFICATIONS

MATERIAL:
High pressure die-cast zinc with self-lubricating nylon cam

LOAD RATING:
See Hinge Selector Chart, Page B24, Group D

PACKAGING:
6 each per carton

Drilled and countersunk for 1/4" (6.0mm) flat head screws

WEIGHT:
Approx. 18 lb. (8.2kg) per carton

OFFSET:
Flush (0.0mm)

Model No.	Item	Finish
11243000028	Hinge, RH - Oblique Lower	Polished Chrome
11243000029	Hinge, LH - Oblique Lower	Polished Chrome
11243000088	Hinge, RH - Oblique Lower	Brushed Chrome
11243000089	Hinge, LH - Oblique Lower	Brushed Chrome

