

Textured Panel

PACESETTER LOCKING HANDLES

- Unbreakable pull handles for trouble-free service.
- Cylinder lock and padlock provision standard.
- Complete with inside safety release mechanism.
- Tamper-resistant screw hole plugs included.
- Original trademarked Kason design.

1238 PACESETTER LOCKING HANDLE

- Twist-off glow in the dark knob disassembly type inside release.

1239 PACESETTER LOCKING HANDLE

- 90° lever turn mechanism inside release.

SPECIFICATIONS

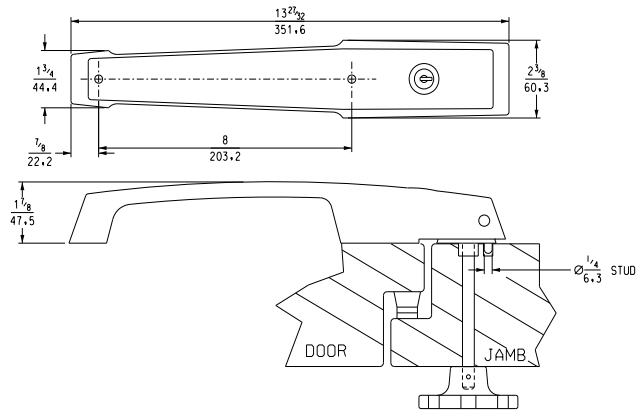
MATERIAL: High pressure die-cast zinc.	OFFSET: Flush.	PACKAGING: 6 per carton.	INSIDE RELEASES: Die-cast lever or black plastic twist knob.
FINISH/SURFACE STYLE: See table below.	MOUNTING: Holes drilled and countersunk for 1/4" (6.0mm) screws.	WEIGHT: Approx. 14 lb. (6.4kg) per carton.	OTHER: Use with right- or left-hand door.

Model No.	Item	Finish
11238CV0004	Cylinder Locking with Twist-off Knob Release	No Panel, Brushed Chrome
11238CV0005	Cylinder Locking with Twist-off Knob Release	No Panel, Polished Chrome
11238C00004	Cylinder Locking with Twist-off Knob Release	Textured Panel, Brushed Chrome
11238C00005	Cylinder Locking with Twist-off Knob Release	Textured Panel, Polished Chrome
11239CV0004D	Cylinder Locking with Twist-off Knob Release	No Panel, Brushed Chrome
11239CV0005	Cylinder Locking with Lever Turn Release	No Panel, Polished Chrome
11239CVF004	Cylinder Locking with Twist-off Knob Release	No Panel, Brushed Chrome
11239CVF005	Cylinder Locking with Twist-off Knob Release	Textured Panel, Polished Chrome
11239C00004D	Cylinder Locking with Lever Turn Release	Textured Panel, Brushed Chrome
11239C00005	Cylinder Locking with Lever Turn Release	Textured Panel, Polished Chrome

Measured to 4" wall. Consult factory for other wall thicknesses.

91232C02420054 Cylinder Kit

ITEM # 1238 & 1239



ITEM # 1238 KNOB RELEASE



ITEM # 1239 LEVER RELEASE

