



®

ITEM # 1236



1236 HEAVY DUTY LEVER LOCKING HANDLE

- Powerful lever action easily overcomes high strength magnetic seals and frees frosted doors.
- Cylinder lock and padlock provision are standard for added security.
- Fully concealed mounting discourages tampering.
- Complete with inside release mechanism.
- Handle end will not strike door face.
- Interchangeable with competitive models.

SPECIFICATIONS

MATERIAL: High pressure die-cast zinc.	MOUNTING: Holes drilled and countersunk for 1/4" (6.0mm) screws.	PACKAGING: 6 per carton.
FINISH: See table below.	INSIDE RELEASE: 90° turn inside release mechanism; choice of lever or knob style handle.	WEIGHT: Approx. 26 lb. (12.0kg) per carton.

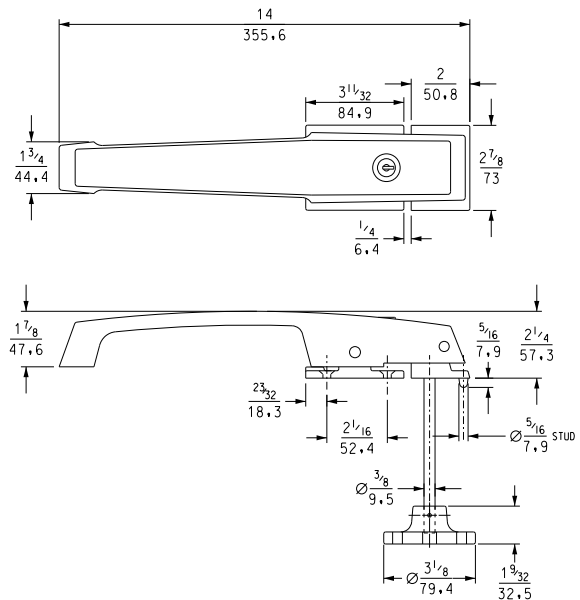
Model No.	Item	Finish
11236C00004	Handle with Lever Turn Release	Brushed Chrome
11236C00005	Handle with Lever Turn Release	Polished Chrome
11236C00006	Handle with Knob Turn Release	Polished Chrome
91232C02420054	Cylinder Kit	

SAFETY-GLOW PUSH PANEL

- Kason unlocked pull and lever handles release from inside with push of door. "PUSH" panel provides reminder and can prevent accidental misuse of inside release handle.
- Printed on waterproof, sanitary polypropylene.
- Mounts inside door with 1/8" (3.2mm) pop rivets.
- Glow-in-dark message is visible in room light or darkness.

Model No.	Item
91229000161	Safety Push Panel

Packaging: 24 per carton



ITEM # 1238 KNOB RELEASE



ITEM # 1239 LEVER RELEASE

Kason No. 1236 lever locking handle comes complete with 90° turn inside release mechanism. Select lever or knob turn inside handle.



PUSH PANEL