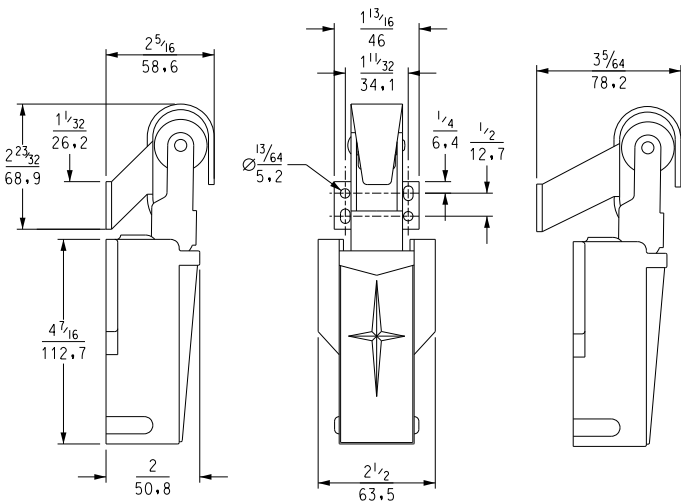
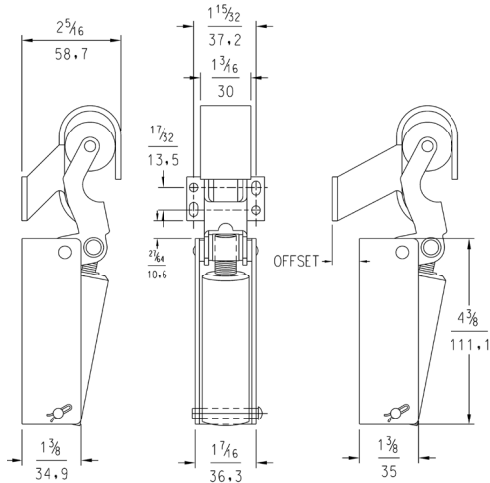




ITEM # 1092



ITEM # 1093



1092 HYDRAULIC DOOR CLOSER

- Ideal for walk-in doors or boxes with merchandising doors to prevent pressure spikes that pop open glass doors.
- Brakes movement, shuts door noiselessly and keeps it closed.
- Closes door opened as result of temperature-pressure build up.
- Long-wearing

SPECIFICATIONS

MATERIAL: Steel	PACKAGING: 8 per carton	MOUNTING HOLES: Drilled for No. 10 (5.0mm) screws (not included)
FINISH: Zinc plating	WEIGHT: Approx. 14.8 lb. (6.7kg) per carton	

Model No.	Item
11092000004	Closer with Flush to 3/4" (0.0-19.1 mm) Offset Hook
11092000008	Closer with 7/8"-1-5/8" (22.2-41.3 mm) Offset Hook

1093 HYDRAULIC DOOR CLOSER

- Quiet, efficient hydraulic closer
- Ivory plastic cover adds style

SPECIFICATIONS

MATERIAL: Steel	COVER: Ivory plastic	PACKAGING: 10 per carton
FINISH: Chrome	MOUNTING HOLES: Drilled for No. 10 (5.0mm) screws (sold separately)	WEIGHT: Approx. 13 lb. (5.9kg) per carton

Model No.	Item
11093000004	Closer with Flush to 3/4" (0.0-19.1 mm) Offset Hook
11093000008	Closer with 7/8"-1-5/8" (22.2-41.3 mm) Offset Hook