

## EDGEMOUNT MECHANICAL LATCHES

- Smooth-operating trigger-action latches
- Kason patented two-way adjustable microturn strike adjusts to compensate for gasket compression and door sag
- Positive, closure with little force
- Easy release

### SPECIFICATIONS

<b>MATERIAL:</b> High pressure die-cast zinc body, handle and strike; brass tongue	<b>533D</b>	<b>538</b>
<b>FINISH:</b> Polished chrome	<b>PACKAGING:</b> 12 per carton	<b>Available with cylinder lock or with removable plug for cylinder lock</b>
<b>MOUNTING:</b> Drilled and countersunk for No. 10 (5.0 mm) screws	<b>WEIGHT:</b> Approx. 18 lb. (802 kg) per carton	<b>PACKAGING:</b> 12 per carton
		<b>WEIGHT:</b> Approx. 21 lb. (9.5 kg) per carton

**PathoGuard™** treated antimicrobial handles available. Consult your Kason representative.

Model No.	Item	Lock
10533D00004	Latch	Padlocking
10538000004	Latch	Padlocking
10538C00004	Latch	Cylinder
10533D00024	Strike for 533D, 538 & 538C	
90538CM0004	Cylinder Kit for 538	

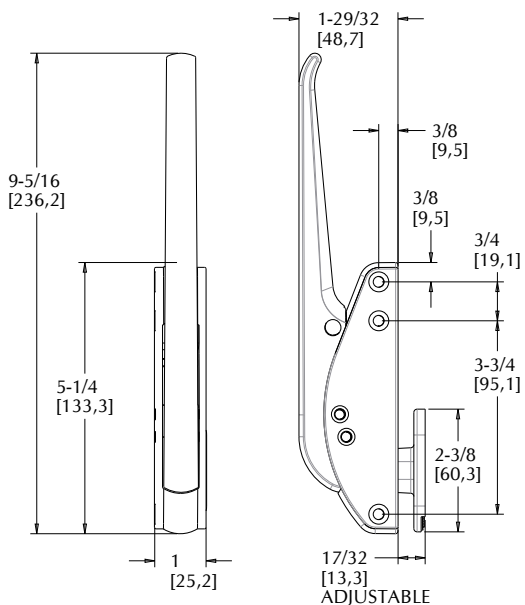
Cylinder locks may be keyed alike or differently. 5 key changes available; please specify.  
Models available with heat-resistant, vinyl sleeve.



**ITEM # 533D**

**ITEM # 538**

### 533D



### 538

