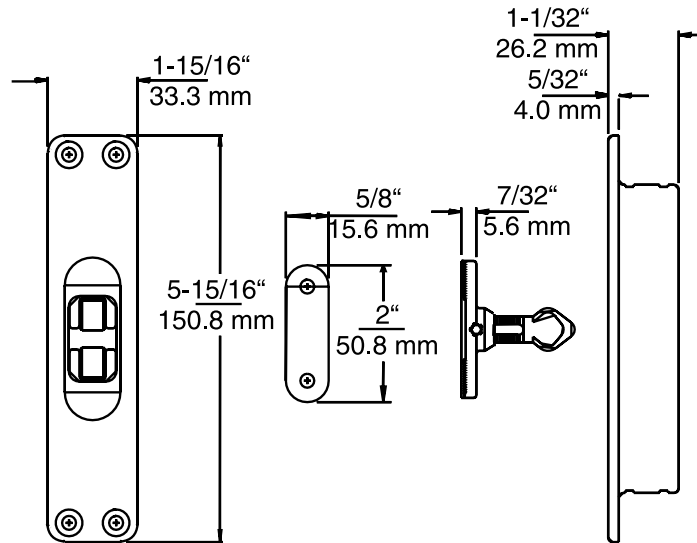


0535 ROLLER GRIP LATCH



0535 SERIES ROLLER GRIP

| Model No. | Description | Material | Mounting |
|------------|------------------------------|--|---|
| 0535H00004 | Roller Grip w/ Heavy Spring | Zinc, Polished Chrome Plated, Nylon Rollers | Tongue Housing Drilled & Countersunk for No. 10 (5mm) Screws; Strike w/ Slotted Screw Holes |
| 0535M00004 | Roller Grip w/ Medium Spring | | |
| 0535L00004 | Roller Grip w/ Light Spring | | |