



INSIDE RELEASE HANDLES

Required with walk-in latches. Use the convenient tables in the "How To..." section on pg. B30 to choose and order the correct inside handle for each Kason latch selected.

See selection chart on page B30.

481 SAFETY-GLOW PUSH HANDLE

- Glow in the dark knob.

SPECIFICATIONS

MATERIAL: Steel rod and flange; Safety-Glow™ plastic knob.	MOUNTING: Holes drilled for No. 10 (5. mm) screws.	WEIGHT: Approx. 20 lb. (9.1kg) per carton.
FINISH: Kasonized (Zinc plated).	PACKAGING: 24 per carton.	TEMP. RATING: -40°F to 150 °F (-40°C to 65°C).

482 HI-TEMP PUSH HANDLE

- Provided with steel rod and tough iron knob for high heat applications.

SPECIFICATIONS

MATERIAL: Steel rod and flange; iron knob.	MOUNTING: Holes drilled for No. 10 (5.0mm) screws.	WEIGHT: Approx. 29 lb. (13.2kg) per carton.
FINISH: Kasonized.	PACKAGING: 24 per carton.	TEMP. RATING: -40°F to 500 °F (-40°C to 260°C).

481 STAINLESS STEEL SAFETY-GLOW PUSH HANDLE

- Glow in the dark knob.

SPECIFICATIONS

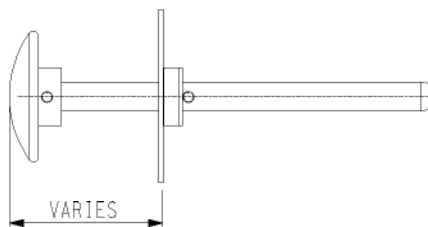
MATERIAL: Stainless Steel rod and flange; Safety-Glow™ plastic knob.	MOUNTING: Holes drilled for No. 10 (5. mm) screws.	WEIGHT: Approx. 20 lb. (9.1kg) per carton.
	PACKAGING: 24 per carton.	TEMP. RATING: -40°F to 150 °F (-40°C to 65°C).

487 FROST-FREE PUSH HANDLE

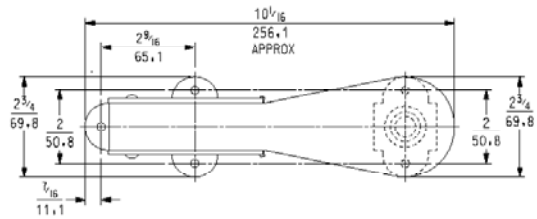
Furnished with low-conduction fiberglass rod for low-temp applications.

SPECIFICATIONS

MATERIAL: Fiberglass rod, plastic flange; Safety-Glow™ plastic knob.	MOUNTING: Holes drilled for No. 10 (5.0mm) screws.	PACKAGING: 24 per carton.	TEMP. RATING: -40°F to 150 °F (-40°C to 65°C).
		WEIGHT: Approx. 17 lb. (7.7kg) per carton.	



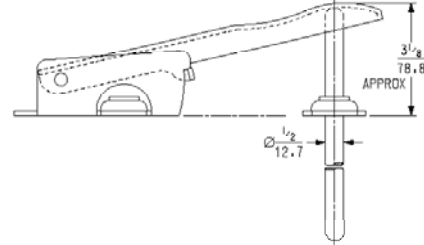
KASON INSIDE RELEASE HANDLES



483 PADDLE HANDLE

SPECIFICATIONS:

Material: Steel	Mounting: Holes drilled for No. 12 (5.5mm) screws	Weight: Approx. 21 lb. (9.5kg) per carton
Finish: Kasonized (Zinc plated)	Packaging: 10 per carton	

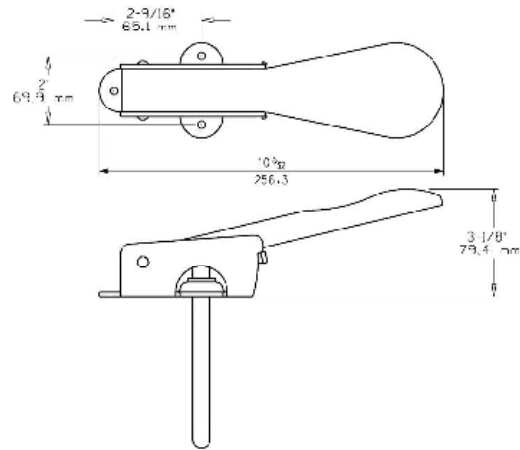


55 LATCH INSIDE RELEASE LEVER



For 55 latch, inside release is included with the latch. To order a replacement, lever assembly and rod are sold separately. See page B15 for more info.

90055000040	Lever Assembly, Zinc Plated
90055000041	Lever Assembly, Chrome Plated
90055000192	Push Rod 7-7/8" Zinc Plated
9058200040	Lever Assembly, Rubber Coated
95582000000	Push Rod 7-7/8" Fiberglass



HOW TO SELECT & ORDER INSIDE RELEASE HANDLES

1. From Table A choose the appropriate inside release handle for each latch.
2. Refer to Table B for minimum door thickness required for each inside release model.
3. Specify exact thickness of your door. We will use this information to convert your requirements into our part numbers.

TABLE A

LATCHES	INSIDE RELEASE HANDLES
45, 46, 50, 51, 4545, 4646, 5050, 5151	480, 481B, 482B, 486B, 487B, 489B
52, 53	481B, 482B, 486B, 487B, 489B
55XXL	486D, 489D
56, 5656	480, 483, 481A, 481SA, 482A, 486A, 487A, 489A
58, 77, 78, 778	481C, 481SC, 482C, 486C, 487C, 489C

CAUTION:

Proper selection and installation of Kason inside release handles can prevent entrapment inside coolers, freezers and other walk-in units when used with the appropriate Kason latches. Please select carefully for the application and use only as directed.

TABLE B

MINIMUM DOOR THICKNESS	INSIDE RELEASE HANDLES
1-1/2" (38.1 mm)	481C, 481SC, 482C, 483, 487C
2-1/2" (63.5 mm)	481A, 481SA, 482A, 487A
2-11/16" (68.3 mm)	486D
2-3/4" (69.9 mm)	489D
3" (76.2 mm)	481B, 482B, 486B, 486C, 487B
3-1/4" (82.6 mm)	489B, 489C
3-1/2" (88.9 mm)	480
3-3/4" (95.3 mm)	486A
4" (101.6 mm)	489A