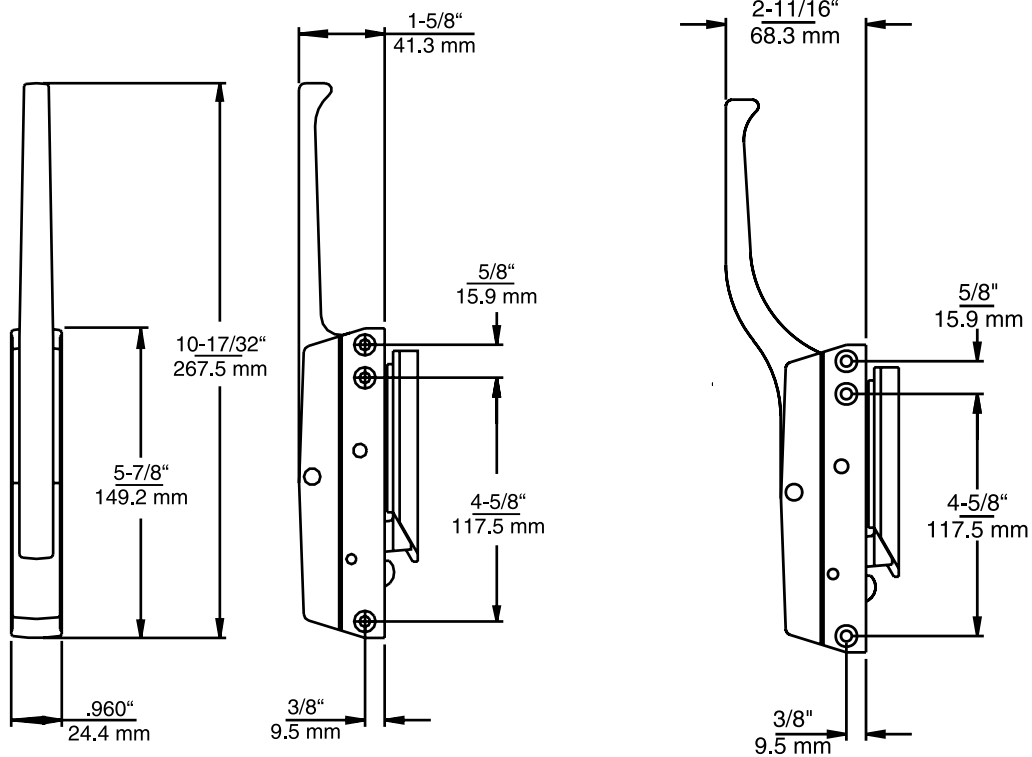


## 0172 MAGNETIC-MECHANICAL LATCH



**172 STRAIGHT**

**172B OFFSET**

Model No.	Handle	Lock
0172000006	Straight	None
0172B00006	Offset	None
0172C00006	Straight	Cylinder
0172BC0006	Offset	Cylinder
0172CM0004		Cylinder Kit for 172

PACKAGING: 12 per carton.

WEIGHT: Approx. 25 lb. (11.4 kg) per carton.

Cylinder locks may be keyed alike or differently;  
5 key changes available; please specify  
**Models available with heat-resistant, vinyl sleeve.**