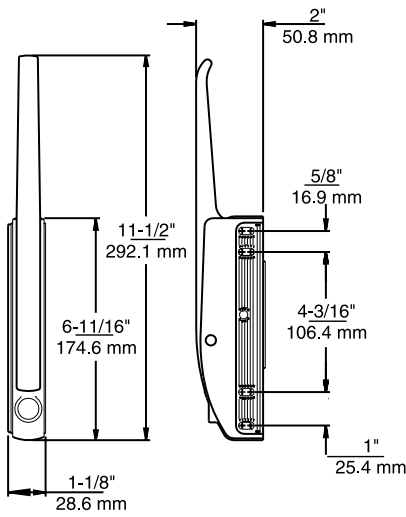
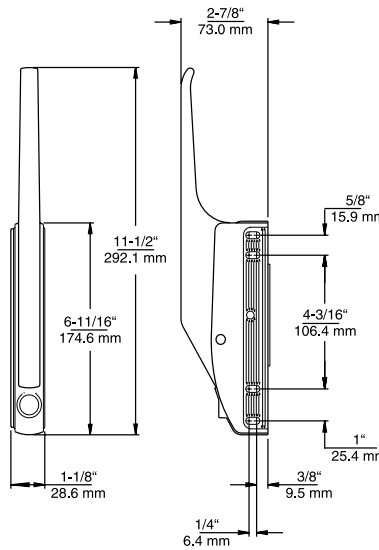




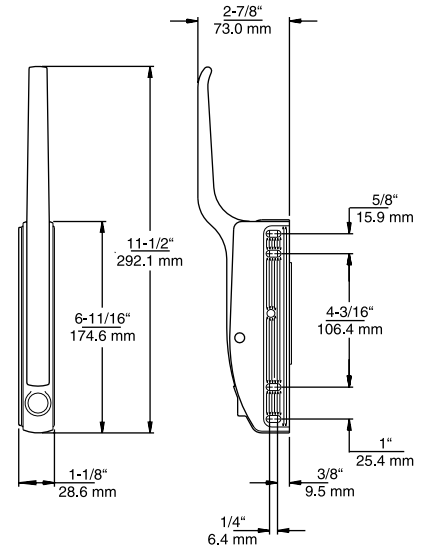
# 0171 SERIES MAGNETIC LATCHES



**171 STRAIGHT DIE-CAST OR COMPOSITE HANDLE**



**171 COMPOSITE OFFSET HANDLE**



**171 DIE-CAST OFFSET HANDLE**

Model No.	Handle	Lock	Magnet	Qty/Ctn	Weight/Ctn
0171000004	Straight Die-cast, Pol. Chrome	*	Standard	12	39 lb. (17.7kg)
0171000005	Straight Die-cast, Pol. Chrome w/plastic sleeve	*	Standard	12	39 lb. (17.7kg)
0171000014	Straight Die-cast, Pol. Chrome	*	Ceramic	12	39 lb. (17.7kg)
0171C00004	Straight Die-cast, Pol. Chrome	Cylinder	Standard	12	39 lb. (17.7kg)
0171B00008	Offset Composite, Black	*	Standard	12	31.8 lb. (14.4kg)
0171B00018	Offset Composite, Black	*	Ceramic	12	31.8 lb. (14.4kg)
0171B00024	Offset Die-cast, Pol. Chrome	*	Standard	12	39 lb. (17.7kg)
0171B00034	Offset Die-cast, Pol. Chrome	*	Ceramic	12	39 lb. (17.7kg)
0171S00008	Straight Composite, Black	*	Standard	12	31.8 lb. (14.4kg)
0171S00018	Straight Composite, Black	*	Ceramic	12	31.8 lb. (14.4kg)
0171BC0008	Offset Composite, Black	Cylinder	Standard	12	31.8 lb. (14.4kg)
0171BC0018	Offset Composite, Black	Cylinder	Ceramic	12	31.8 lb. (14.4kg)
0171BC0024	Offset Die-cast, Pol. Chrome	Cylinder	Standard	12	39 lb. (17.7kg)
0171BC0034	Offset Die-cast, Pol. Chrome	Cylinder	Ceramic	12	39 lb. (17.7kg)
0171SC0008	Straight Composite, Black	Cylinder	Standard	12	31.8 lb. (14.4kg)
0171SC0018	Straight Composite, Black	Cylinder	Ceramic	12	31.8 lb. (14.4kg)
0171BK0008	Offset Composite, Black	Turn Knob	Standard	12	31.8 lb. (14.4kg)
0171BK0018	Offset Composite, Black	Turn Knob	Ceramic	12	31.8 lb. (14.4kg)
0171CM0004	Cylinder Kit for 171 & 171B				

\*Can be converted to cylinder locking with 0171CM0004 Cylinder Kit. Cylinder locks may be keyed alike or differently; 5 key changes available; please specify