

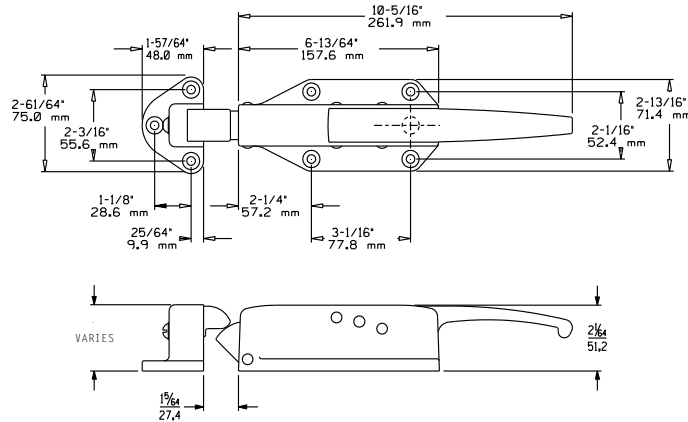


58 LATCH



® U.S. Trademark 2,227,009

ITEM # 58



58 RADIAL LATCH

- For smooth, easy closure
- Works with foam doors
- Reliable, self-closing action provides positive tight closure with little effort
- Releases with minimum pressure or pull from outside or from inside with Kason inside release handle
- Works effectively with Kason door closers
- Economical, adjustable solid head strike
- Padlocking provision standard on all models



ITEM # 59 ROLLER STRIKE

59 ROLLER STRIKE

SPECIFICATIONS

MATERIAL:

High pressure die-cast zinc. Stainless black plate

FINISH:

Polished chrome models listed. Also available in brushed chrome, silver powder coat, or powder coated for severe environmental applications

MOUNTING HOLES:

Drilled and countersunk for 1/4" (6.0mm) screws

PACKAGING/WEIGHT:

6 body assemblies/approx. 16 lb. (7.3kg) per carton.
6 strike assemblies/approx. 7 lb. (3.2kg) per carton

INSIDE RELEASE:

Accepts "C" series inside release. Order separately. See pages B27 - 30 for selection.

LOCKING MECHANISM:

Accepts Master #1 LJ Padlock with 5/16" shank

Strike Sold Separately.

Model No.	Item	Description
10058CH5020	Cylinder Locking Body	Heavy Spring
10058CL5020	Cylinder Locking Body	Light Spring
10058H05021	Body	Heavy Spring
10058L05021	Body	Light Spring
10058005001	Strike	-1/8" to 1/4" (-3.2 to 6.4 mm)
10058005002	Strike	3/4" to 1-5/8" (19.0 to 41.3 mm)
10058005003	Strike	1-3/4" to 2-1/2" (44.5 to 63.5 mm)
10059005001	Roller Strike	-1/8" to 1/4" (-3.2 to 6.4 mm)
10059005002	Roller Strike	3/4" to 1-5/8" (19.0 to 41.3 mm)
10059005003	Roller Strike	1-3/4" to 2-1/2" (44.5 to 63.5 mm)
90531CM000401	Replacement Cylinder Kit #1	
90531CM000402	Replacement Cylinder Kit #2	
90531CM000403	Replacement Cylinder Kit #3	
90531CM000404	Replacement Cylinder Kit #4	

**Light Spring Models with roller strike